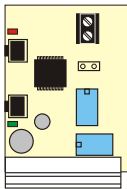


# ERONE - SLOT-IN CARD RECEIVER

SEL2641R433-S7



MANUAL  
INSTALLATION



Thank you for choosing a product Erone. You are recommended to read carefully this manual before installing the product.

## CONTENTS

### 1 - PRODUCT INTRODUCTION

- 1A - Introduction
- 1B - Technical specifications
- 1C - Power selection
- 1D - Layout and connections

### 2 - TRANSMITTER CODES MEMORIZATION

### 3 - MEMORY FULL

### 4 - MEMORY ERASURE

#### 1A - Introduction

The slot-in card receiver ERONE type SEL2641R433-S2 is a superheterodyne receiver operating at 433.92 Mhz.

It is a component of the radiocontrol ERONE 433.

It can be used with the transmitters ERONE, Series ERONE 433 Rolling code and ERONE MINI. The outputs are carried out by means of a 10 ways MOLEX connector on which are available 2 pure contacts of the

two relays and the three power connections, so it can be connected only to a perfectly compatible device.

The receiver makes it possible a multiple code management ( up to 85 different transmitter codes, thank to the internal EEPROM.

The transmitter code memorization can be performed with 2 push-buttons. A separated antenna input connector is available on the card.

#### USABLE TRANSMITTERS

- Erone 024A Type. S2TR2641E2: 2 keys transmitter;
- Erone 024A Type. S2TR2641E4: 4 keys transmitter;
- Erone MINI Type. SETR2641AM2 :2 keys mini transmitter;

#### 1B - Technical specifications

Receiver type:	Superheterodyne.
Demodulation:	AM/ASK.
Operating frequency:	433.92 MHz.
Local oscillator frequency:	6,6128 MHz.
Intermediate frequency:	10,7 MHz.
Sensitivity ( for good signal ):	-117 dBm.
Input impedance:	50 Ohm.
Power supply :	12 or 24c/dc.
Current consumption:	8 mA
Relays number:	2 ( contacts NO).
Commutable max power:	24W or 24VA .
Max codes number:	85.
Operating temperature:	-20 ÷ + 70 °C.
Codes memory type:	EEPROM
Dimensions:	52 x 46 x 19 mm.
Weight:	24 gr.

#### 1C - Power selection

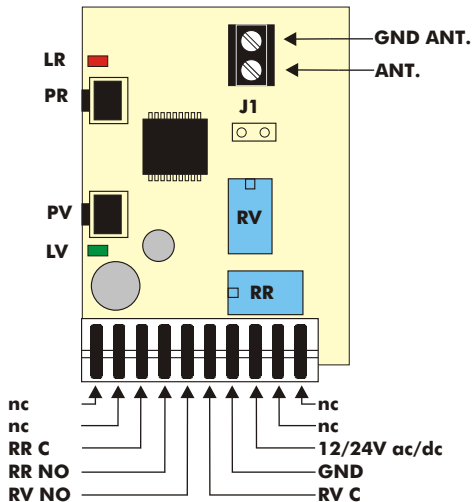


**J1 = CLOSED**  
Power. 12 Vac/dc



**J1=OPEN**  
Power. 24 Vac/dc

## 1D - Layout and connections



## 2 - TRANSMITTER CODES MEMORIZATION

### 2A - Output "Red relay"

Keep "PR" pressed down until the Red led "LR" lights up; release "PR"; the led "LR" remains lit.

Push then the transmitter key which has to be memorized, the led "LR" of the receiver makes a flash and the relay "RR" activates for a while giving the confirm of the successfully procedure.

Attention: If the led "LR" turns off before to activate the transmitter key it is necessary to repeat the procedure.

### 2B - Output "Green relay"

Keep "PV" pressed down until the Green led "LV" lights up; release "PV"; the led "LV" remains lit.

Push then the transmitter key which has to be memorized, the led "LV" of the receiver makes a flash and the relay "RV" activates for a while giving the confirm of the successfully procedure.

Attention: If the led "LV" turns off before to activate the transmitter key it is necessary to repeat the procedure.

## 3 - MEMORY FULL

In case of memory full, if you try to memorize another transmitter code, both the led red "LR" and green led "LV" will flash simultaneously three times.

The first led activated remains lit for further 4 seconds.

The memory capacity is of 85 codes.

## 4 - MEMORY ERASURE

Keep "PR" pressed down until the Red led "LR" lights up; release "PR"; the led "LR" remains lit.

Within 2 seconds push at the same time both the buttons "PR" and "PV" and keep them pressed down until 3 flashes of both the leds occur.

At this point the memory is completed erased.

## GUARANTEE

**The guarantee period of all Erone products is 24 months, beginning from the manufacturer date. During this period, if the product does not work correctly, due to a defective component, the product will be repaired or substituted at the discretion of the producer. The guarantee does not cover the plastic container integrity. After-sale service is supplied at the**

**ERONE is a trademark by ELPRO INNOTEK S.r.l.  
Via Piave, 23 - I-31020 S.Pietro di Feletto (TV) - ITALY  
Tel.: +39/0438/450879 - Fax.: +39/0438/457126  
Toll-free number: 800.53.46.46  
E-Mail: info@erone.com - Web: www.erone.com**